

**SLC** Scandinavian  
Lighting Concept

# SmartOne

 **zigbee** 3.0



**Open smart house controls  
for professional lighting**

Be smart - do not lock yourself into a closed solution.



# AULIX lighting

návrhy osvětlení a prodej svítidel  
inteligentní systémy, vypínače

## SVĚTELNÉ STUDIO

Náměstí Na Sádkách 705  
252 41 Dolní Břežany (Praha západ)

Telefon: +420 246 083 152

Mobil.: +420 702 061 783

E-mail: [studio@aulix.cz](mailto:studio@aulix.cz)

Web: [www.aulix.cz](http://www.aulix.cz)

E-shop: <http://obchod.aulix.cz>

Sledujte nás také na sociálních sítích:





# What is it?

- Open wireless control system
- Future-oriented products
- Possibility of a stand-alone wireless solution
- Easy installation with smart house hub

## Why zigbee<sup>3.0</sup>

- Zigbee 3.0 is a world-leading smart home protocol for wireless networks
- Open system with many players on the market
- User-friendly and stable
- Two-way communication
- Creates mesh networks for better range
- Low power consumption



# Smart control system for professional lighting

SLC SmartOne is an open control system with traditional components that are made smart. The SmartOne products work as a stand-alone wireless solution, but can also be linked together with a suitable smart home system.



## Open protocol

The SmartOne system communicates on an open Zigbee protocol which is also used by the largest smart home market players. This means that our SmartOne products work well with other smart home systems, and you do not lock yourself into the limitations of a closed system.

## TouchLink

All our SmartOne products can be easily controlled wirelessly using TouchLink - completely without the need for a smart home system.

## Professional lighting

The SmartOne system can also communicate wirelessly on a DALI Bus or 1-10V to cover all needs in professional lighting.

## Complete solution

The SmartOne system covers all types of needs in small and large lighting installations. We offer professional control units for everything from dimming of downlights, ceiling lamps and outdoor lights, to installations with LED strips.

## Mesh-netverk

All SmartOne devices with fixed power supply act as repeaters for all devices that are connected in the same system. Devices on battery will only link to the mesh network. In short, you can mount SmartOne products anywhere in the house, and they will automatically create a mesh network for better range.

Smart**One**

# How does it work?

## *With Touch**Link***

Wireless mesh connection, with a touch of a button.

## *With a hub*

SmartOne together with a Zigbee based  
Smart Home Hub/Gateway.

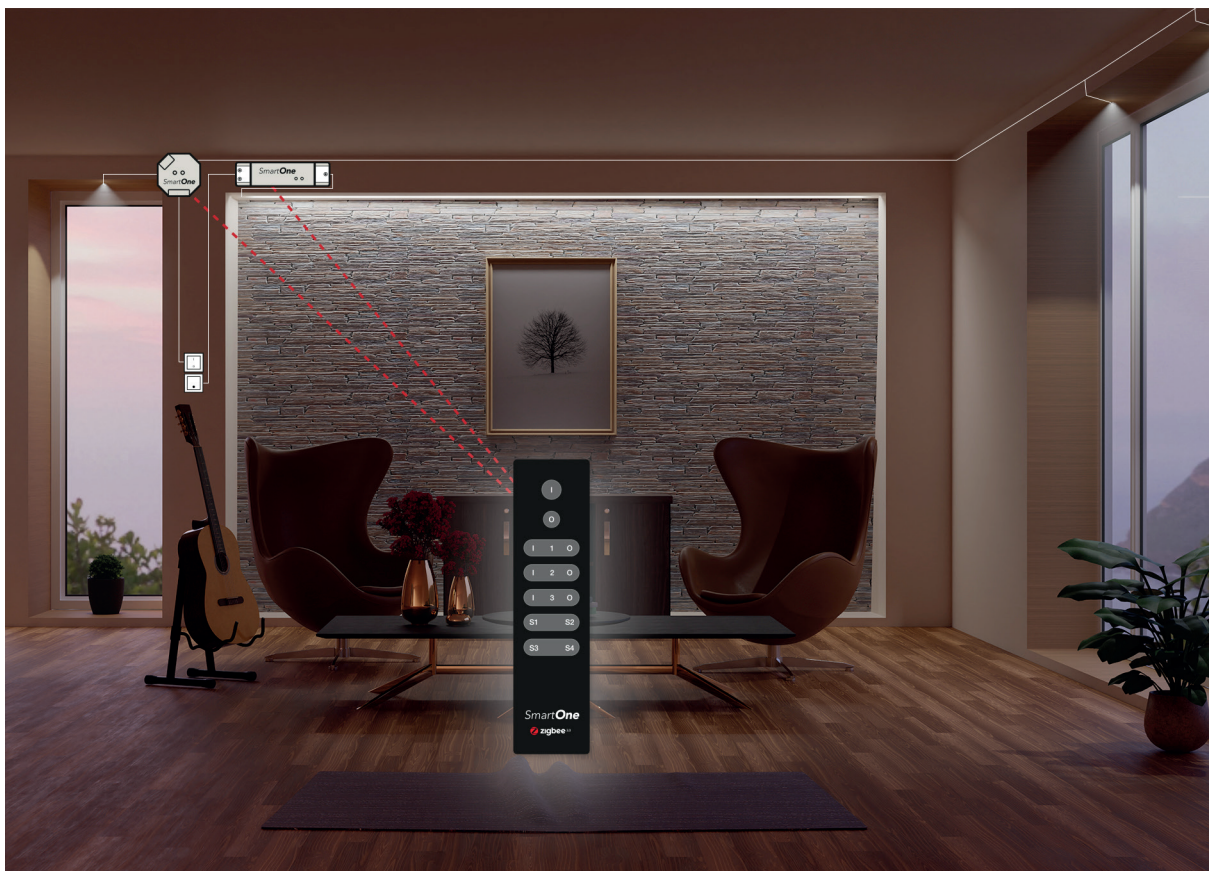
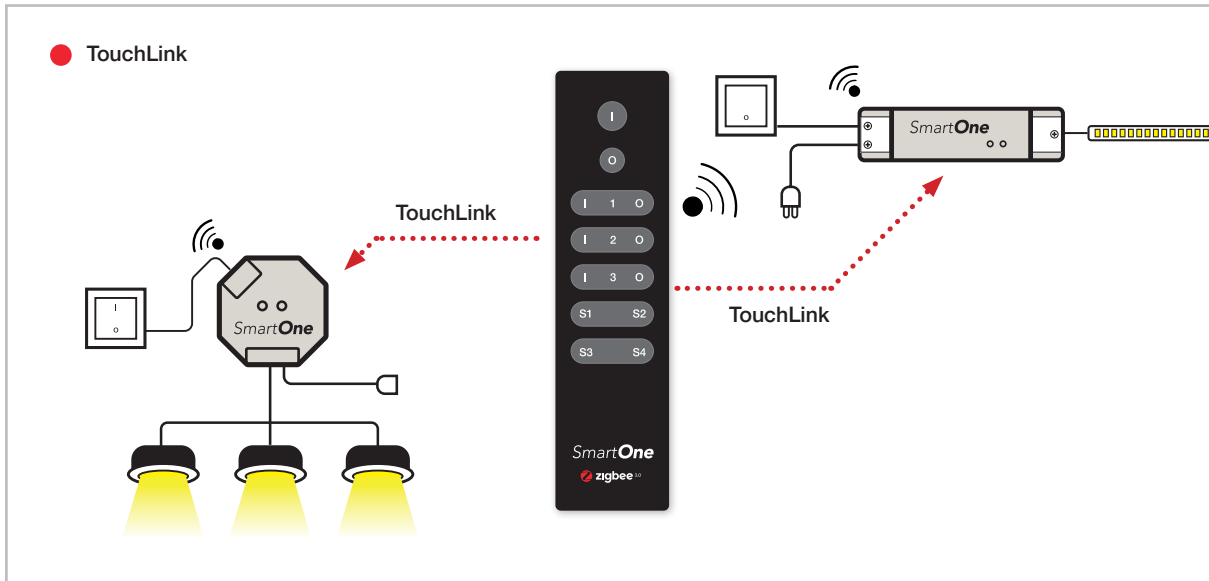
## *With Touch**Link** and hub*

Ultimate control - with endless possibilities.

# SmartOne TouchLink

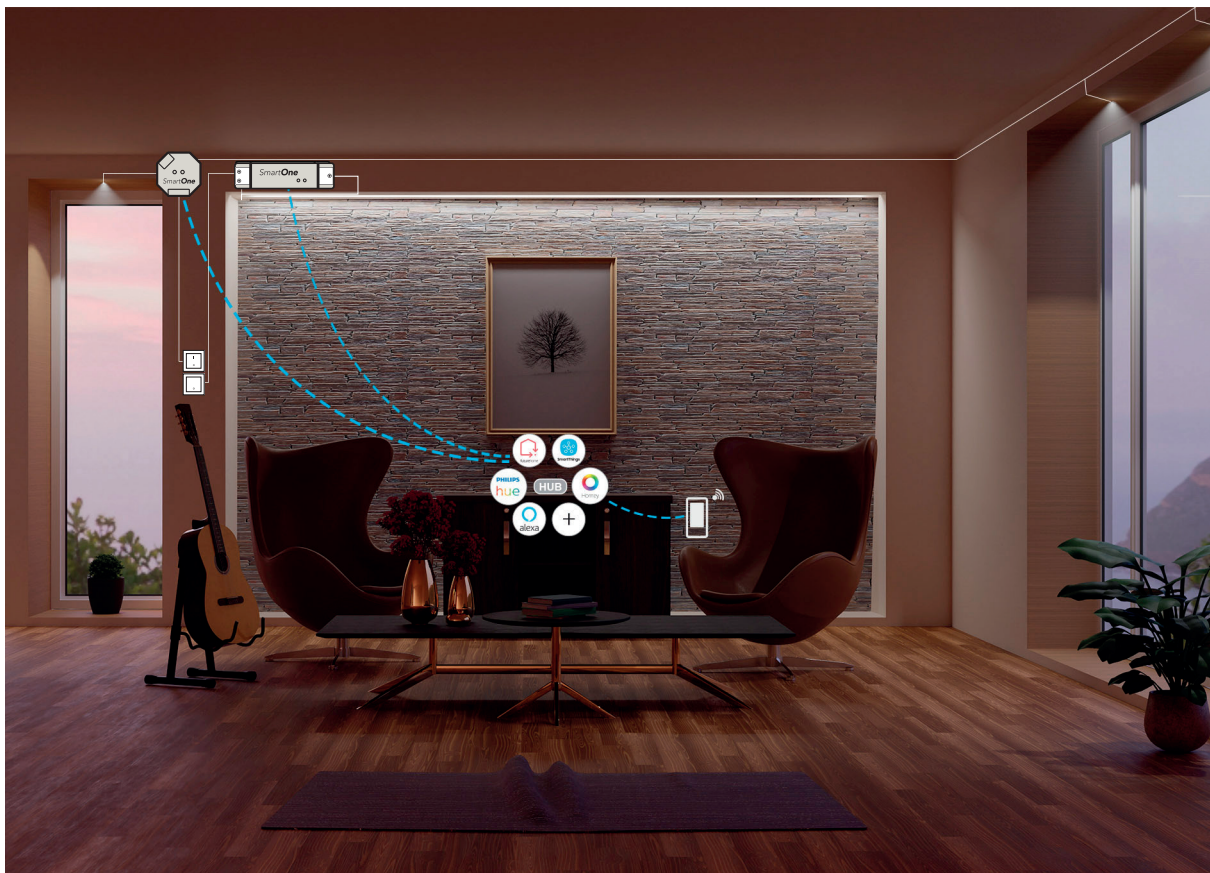
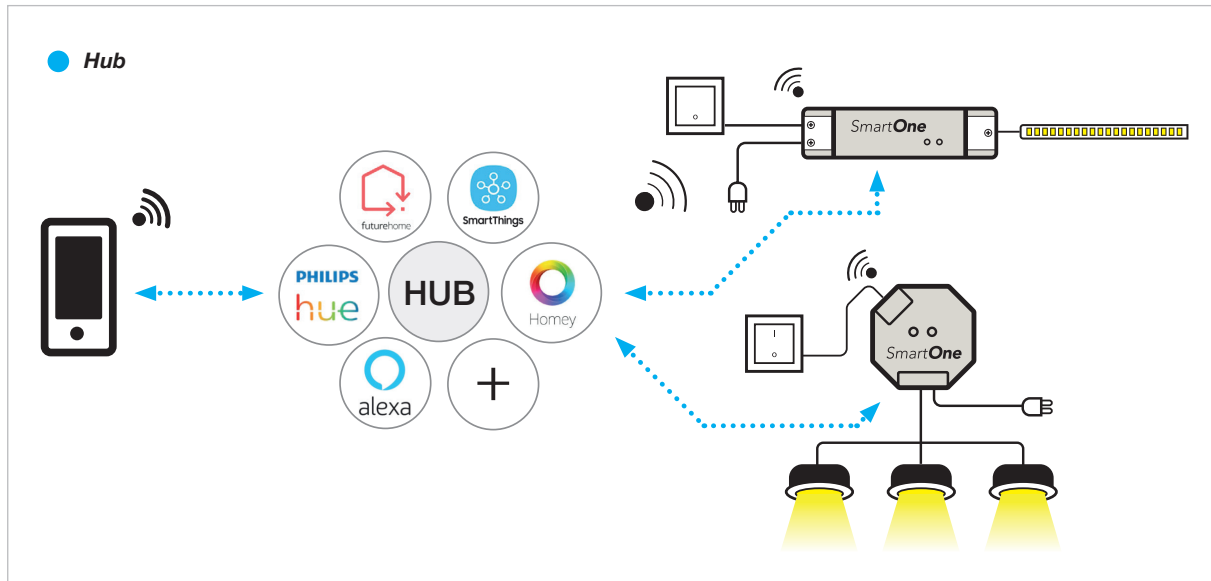
**TouchLink** - Wireless communication, with a touch of a button.

Using TouchLink, you can control your SmartOne devices with a remote control or wall switch that you connect to your SmartOne devices. This is a safe and straightforward installation that does not require a smart home system.



## Link your SmartOne products to a smart home system.

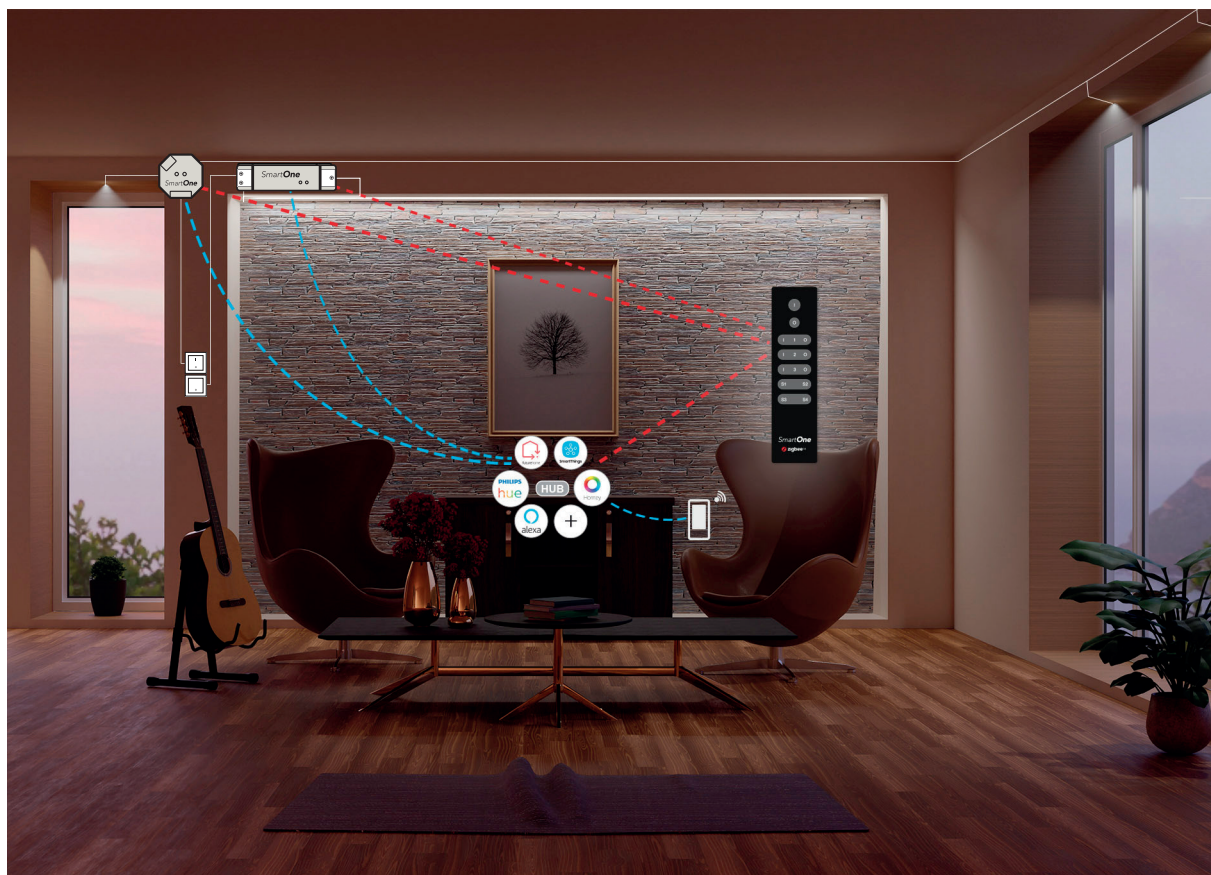
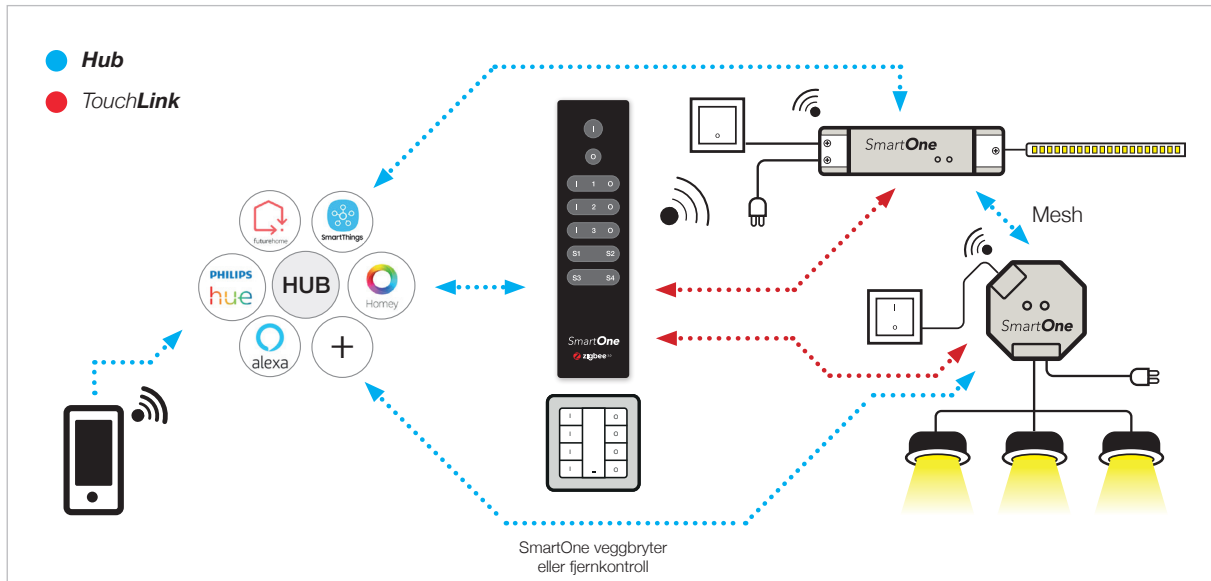
To be able to control the SmartOne products with a mobile phone, you need a suitable smart home system. All SmartOne products can be connected to most smart home systems that support the Zigbee protocol. Then you can use all the smart functions your smart home supports..



# SmartOne + TouchLink + hub

## Full control with endless possibilities!

TouchLink can also be used with a hub. Then the remote control and the hub will be able to give commands to the SmartOne products. You can also control these with Zigbee remote controls or wall switches if the smart home system should be down.

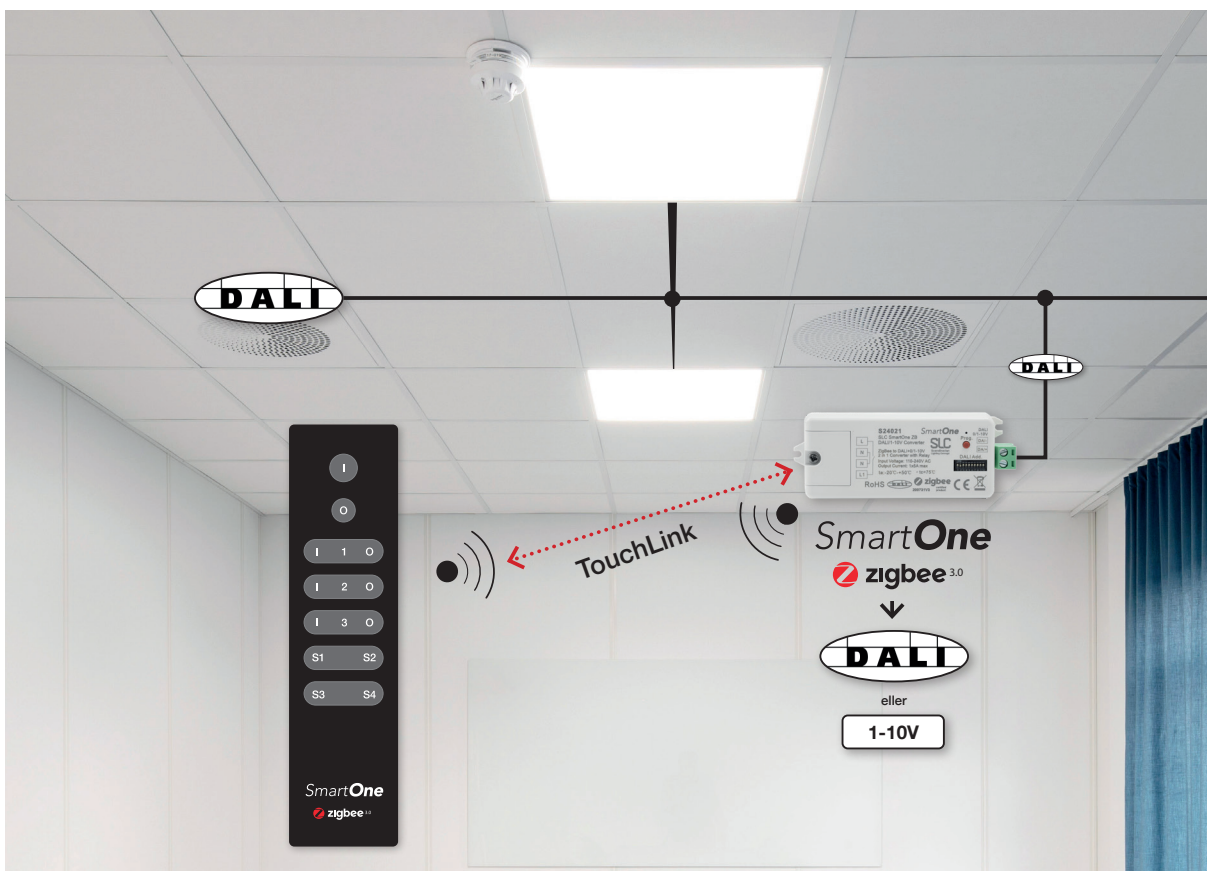
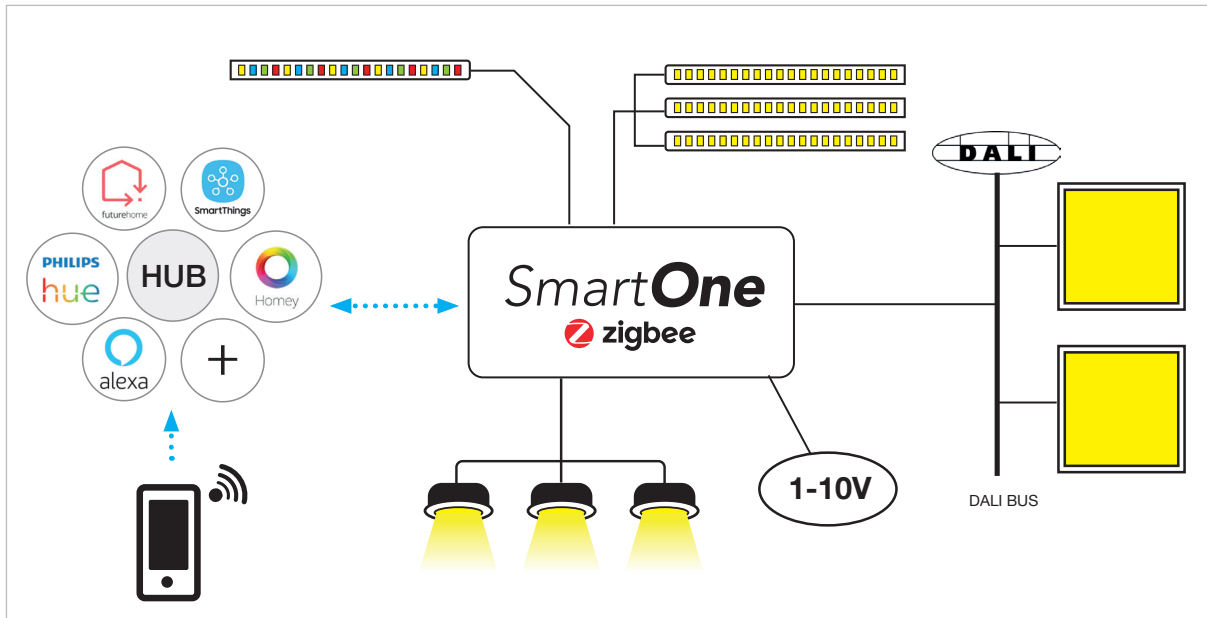




# Scalable system

The advantage of SmartOne is that it is open and scalable. All products are developed on professional components for professional lighting.

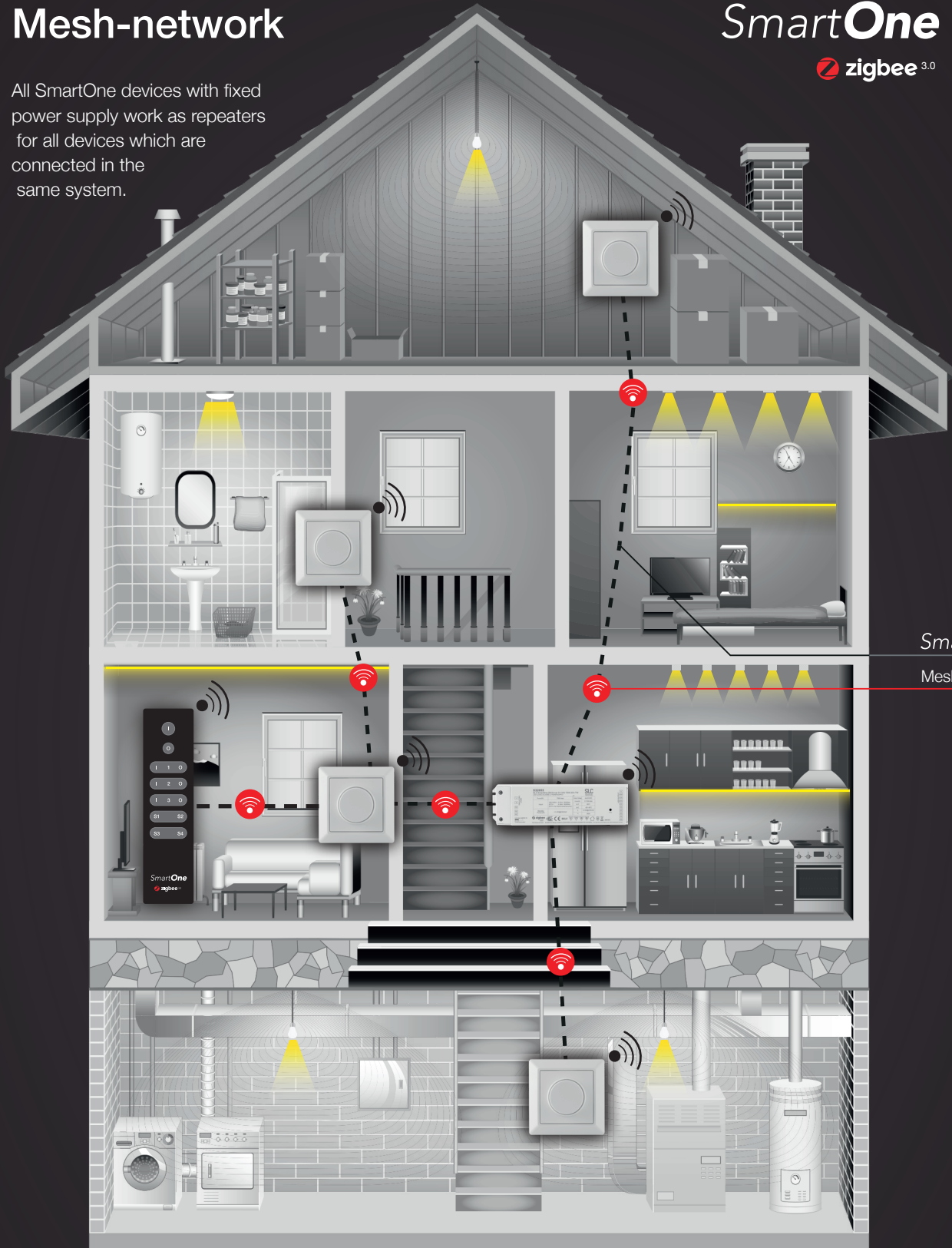
In the SmartOne series, you will find drivers, controllers and dimmers dimensioned for high performance and professional installations. It is entirely up to you how far you are willing to explore the possibilities.



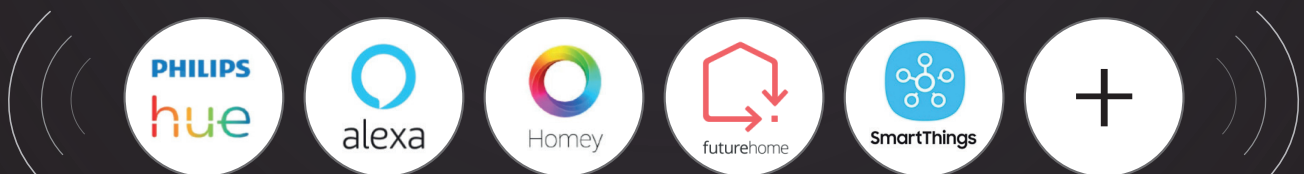
# Mesh-network

SmartOne  
zigbee 3.0

All SmartOne devices with fixed power supply work as repeaters for all devices which are connected in the same system.

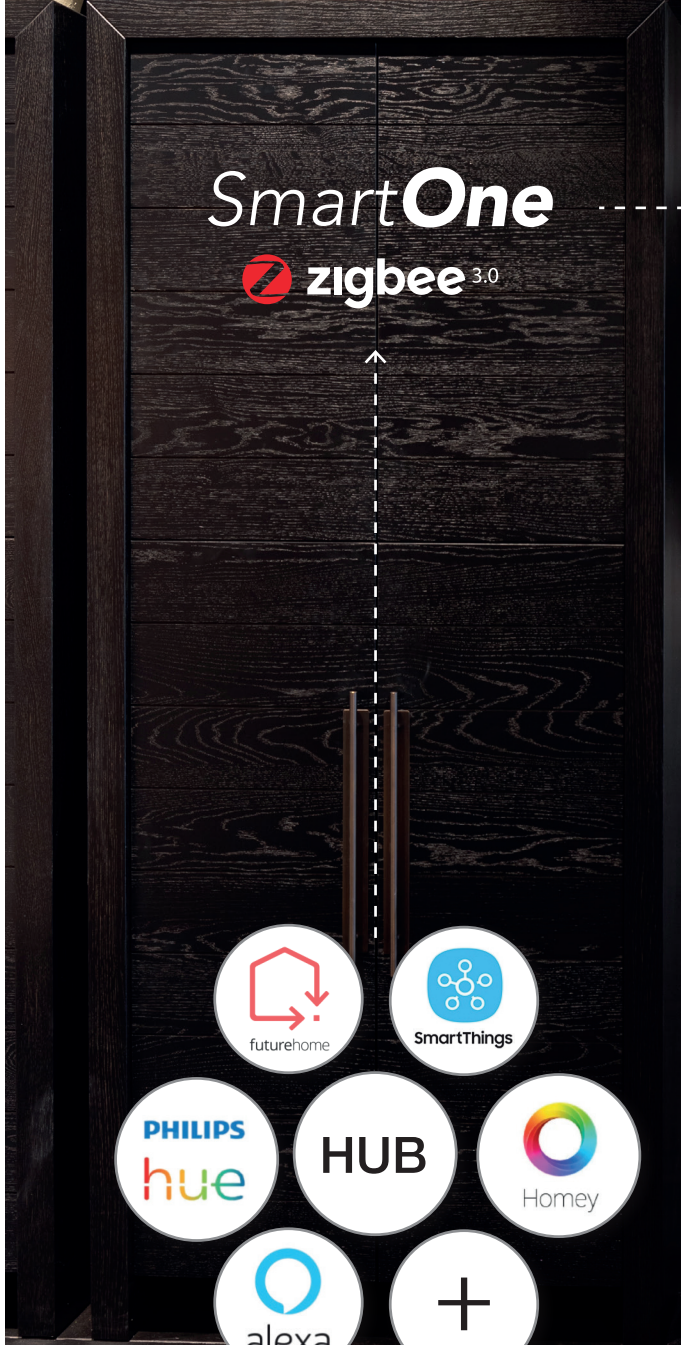


SmartOne  
Mesh-network



# SmartOne

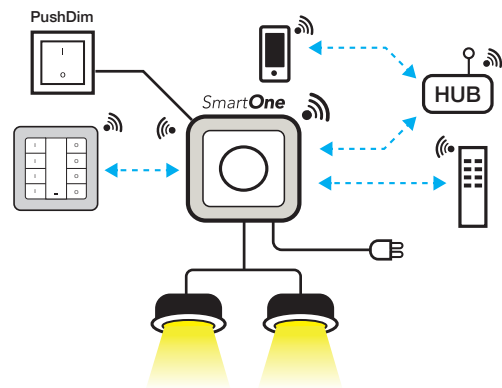
zigbee 3.0



# AC Wall Dimmer

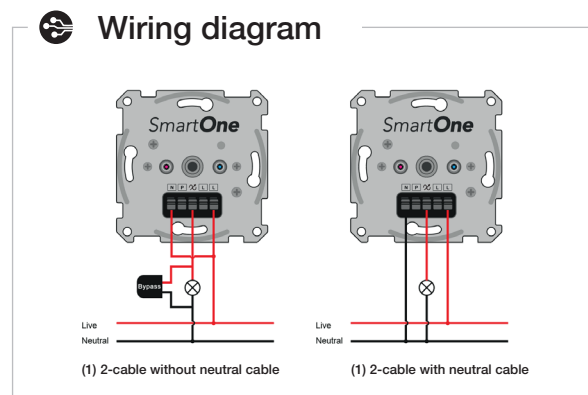
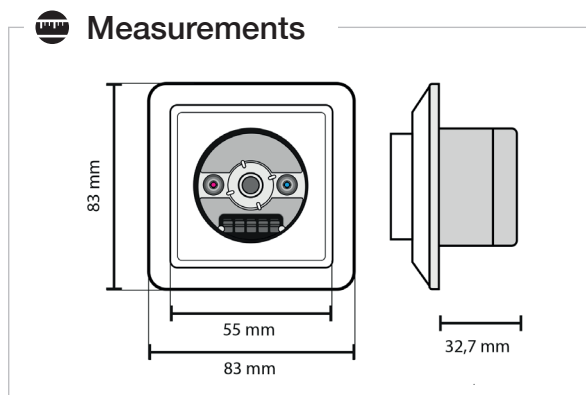


- Trailing-Edge dimmer based on the latest Zigbee 3.0 protocols
- Dimmable from 1-100%
- Adjustable dimming level and start-up level
- End reversal function/push input
- Works either as stand-alone or integrated in the most famous smart home systems
- Can be connected as LN or L
- Supports TouchLink communication with Zigbee remote controls and switches
- Fits in frame 55x55 mm



<b>Type:</b>	Active AC Trailing edge
<b>Connection:</b>	L, L' / LN, L' Push
<b>Installation:</b>	Recessed
<b>Voltage:</b>	100-240V AC 50/60Hz
<b>Max load:</b>	7-250W LED 1-250W LED with bypass filter
<b>IP rating:</b>	IP20
<b>Operating temperature:</b>	-20° ~ +45°
<b>Measurements:</b>	83 x 83 x 32,7 mm

Art.no	Product
S24019	SLC SmartOne AC Wall Dimmer
S59003	<b>Accessories:</b> Black cover for rotary dimmer
S56002	<b>Accessories:</b> Bypass-filter for loads under 7W



## Control with TouchLink

<p><b>S57007</b> SmartOne remote [ see page 15 ]</p>	<p><b>S57001</b> SmartOne 1-channel wall dimmer [ see page 16 ]</p>	<p><b>S57018</b> SmartOne 4-in-1 wall dimmer [ see page 20 ]</p>	<p>For programming and connection, see our <b>Start guide</b></p>
--	---	--	---

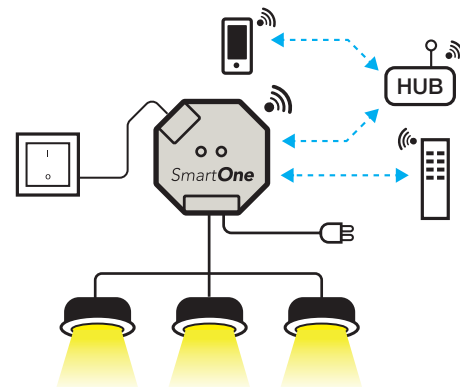
# AC Mini Dimmer



- Mini phase section dimmer based on the latest
- Zigbee 3.0 protocols
- Dimmer from 1-100%
- Push entry
- Compatible with most smart home systems
- Supports TouchLink communication
- with Zigbee remotes and switches
- Small size, fits in standard wall box
- Adjustable minimum fog level

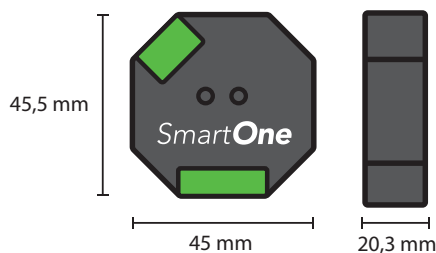


**Type:** Aktiv faseavsrittdimmer, mini  
**Connection:** LN, L', PushDim  
**Installation:** Wall box  
**Voltage:** 100-240V AC 50/60Hz  
**Power:** 3-200W LED  
**Protection:** IP20  
**Operating temp.:** -20° ~ +45°  
**Measurements:** 45,5 x 45 x 20,3 mm

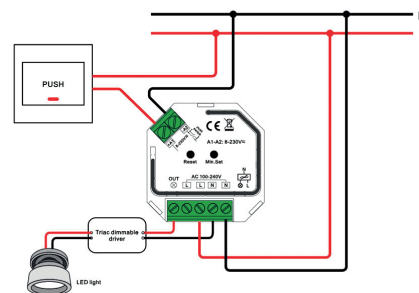


Art.no	Product
S24013	SmartOne Zigbee Mini dimmer

## Measurements



## Wiring diagram



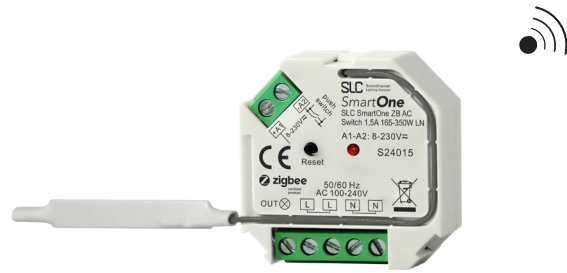
## Control with TouchLink

			<p>For programming and connection, see our <b>Start guide</b></p>
<p><b>S57007</b> SmartOne remote [ see page 15 ]</p>	<p><b>S57001</b> SmartOne 1-channel wall dimmer [ see page 16 ]</p>	<p><b>S57018</b> SmartOne 4-in-1 wall dimmer [ see page 20 ]</p>	

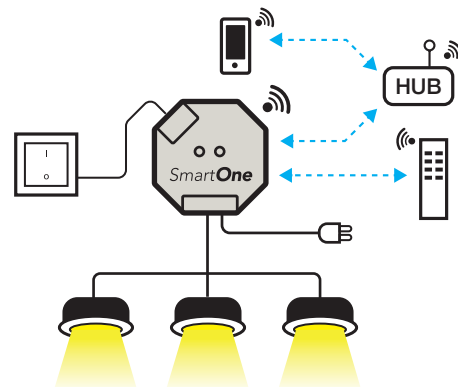
# Switch on/off



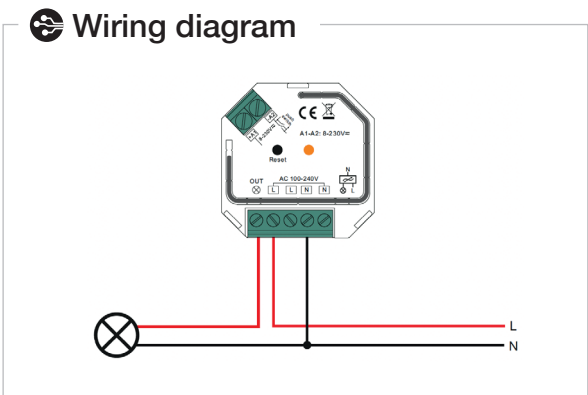
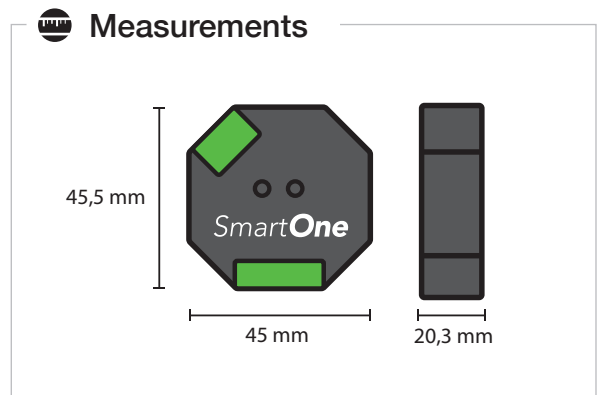
- Power switch based on the latest
- Zigbee 3.0 protocols
- 100-240V AC input and output voltage
- Push Switch input
- Compatible with most smart home systems
- Supports TouchLink communication
- with Zigbee remotes and switches
- Small size, fits in standard wall box
- NOTE! Not potential-free output



**Type:** On/off-switch, mini  
**Connection:** LN, L', Switch  
**Installation:** Wall box  
**Voltage:** 100-240V AC 50/60Hz  
**Power:** 400W (halogen) / 200W (LED) - 1,8A  
**Protection:** IP20  
**Operating temp.:** -20° ~ +45°  
**Measurements:** 45,5 x 45 x 20,3 mm



Art.no	Product
S24015	SmartOne Zigbee Switch on/off



## Control with TouchLink

			<p>For programming and connection, see our <b>Start guide</b></p>
<p><b>S57007</b> SmartOne Remote [ see page 15 ]</p>	<p><b>S57001</b> SmartOne 1-channel wall switch [ see page 16 ]</p>	<p><b>S57003</b> SmartOne 4-channel wall switch [ see page 17 ]</p>	



Control panel overlay for SmartOne Zigbee hub, featuring a Wi-Fi symbol, a power button, and several scene buttons:

- I 1 O
- I 2 O
- I 3 O
- S1 S2
- S3 S4

SmartOne  
zigbee 10

# Remote control



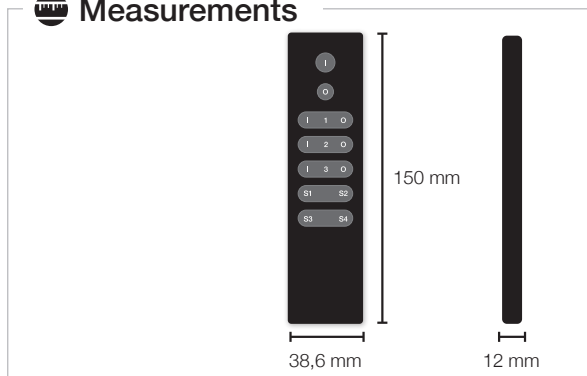
- Remote control with three channels
- Based on the latest Zigbee 3.0 protocol that supports Touchlink communication with Zigbee devices
- Can control 3 units / groups
- Possibility to program four scenes
- Can be attached surface to wall
- Battery-powered





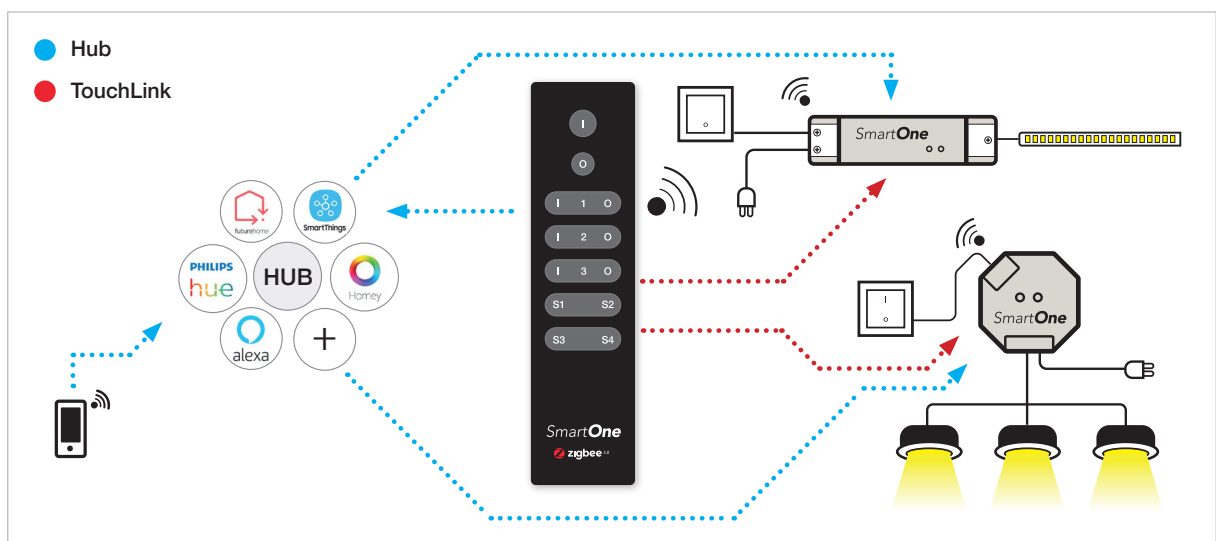
**Voltage:** 3V (CR2032) - battery included  
**IP rating:** IP20  
**Operating temperature:** -20° ~ +45°  
**Measurements:** 150 x 38,6 x 12 mm

Art.no	Product
S57007	SmartOne Zigbee Remote control 3 zones 4 scenes

## Measurements



  
 For programming and connection, see our  
**Start guide**  


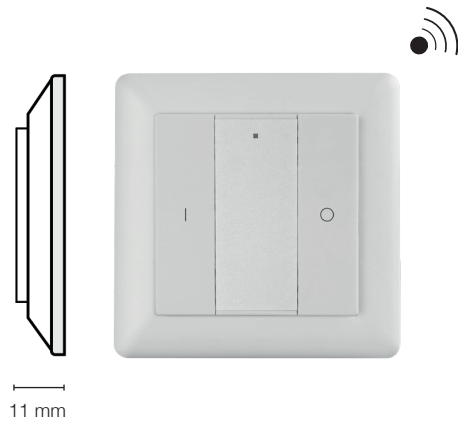




# Wall switch 1-channel

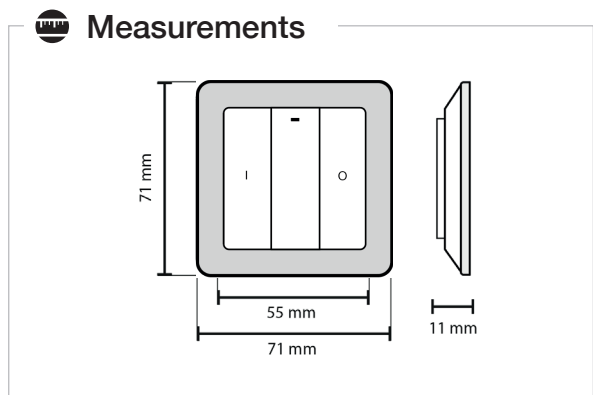


- Wireless wall switch with two buttons
- Can be mounted surface-mounted on a wall
- Based on the latest Zigbee 3.0 protocol which supports Touchlink communication with Zigbee devices
- Can also be used as a mode switch with a hub
- Battery-powered
- Fits in 55x55 mm frame

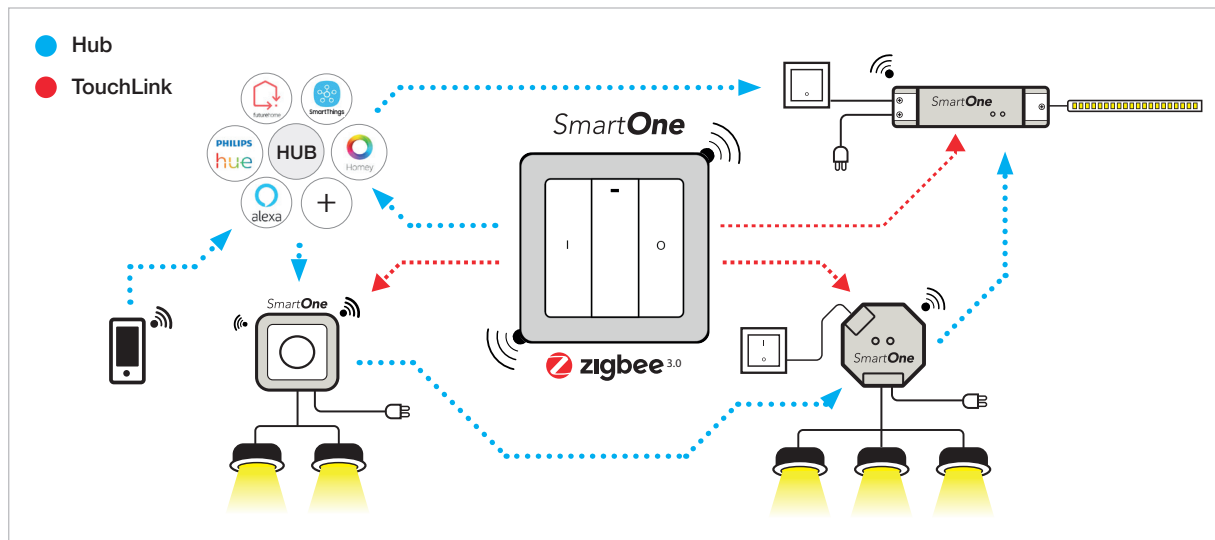


Current: 3V (CR2450) - battery included  
 IP-grade: IP20  
 Operating temp.: -20° ~ +45°  
 Measurements: 71 x 71 x 11 mm

Art.no	Product
S57001	SmartOne Zigbee Wall switch 1-channel



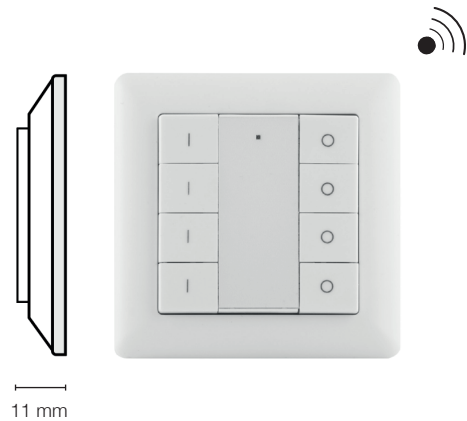
▼  
 For programming  
 and connection, see our  
**Start guide**



# Wall switch 4-channels



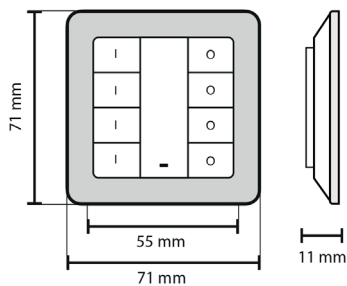
- Wireless wall switch with 8 buttons
- Can be mounted surface-mounted on a wall
- Based on the latest Zigbee 3.0 protocol
- which supports Touchlink communication with Zigbee devices
- Can also be used as a mode switch with hub
- Battery powered
- Fits in 55x55 mm frame



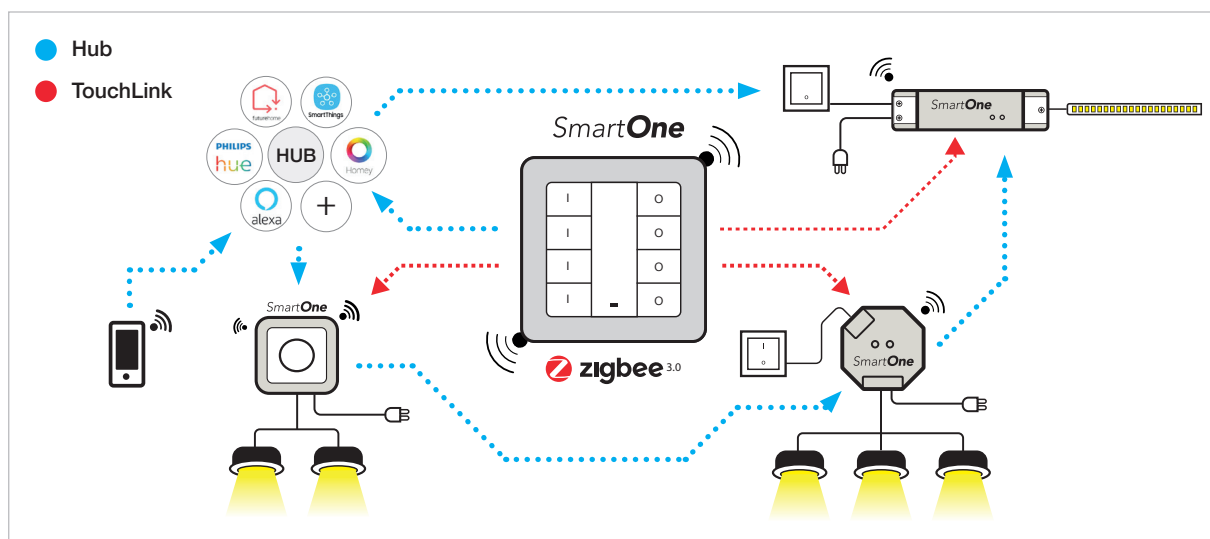
**Current:** 3V (CR2450) - batteri inkludert  
**IP-grade:** IP20  
**Operating temp.:** -20° ~ +45°  
**Measurements:** 71 x 71 x 11 mm

Art.no	Product
S57003	SmartOne Zigbee Veggbryter 4-channels

## Measurements



For programming  
 and connection, see our  
**Start guide**

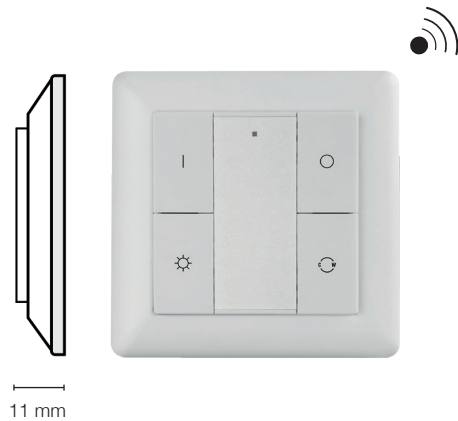


SmartOne

# Wall Switch Tunable White



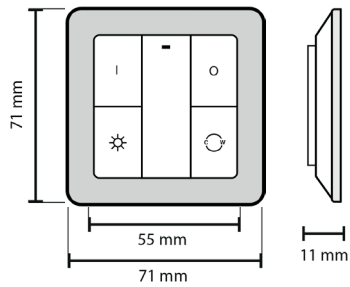
- Wireless wall switch for Tunable White
- Can be mounted surface-mounted on a wall
- Based on the latest Zigbee 3.0 protocol that supports Touchlink communication with Zigbee devices
- Battery powered
- Fits in frame 55x55 mm



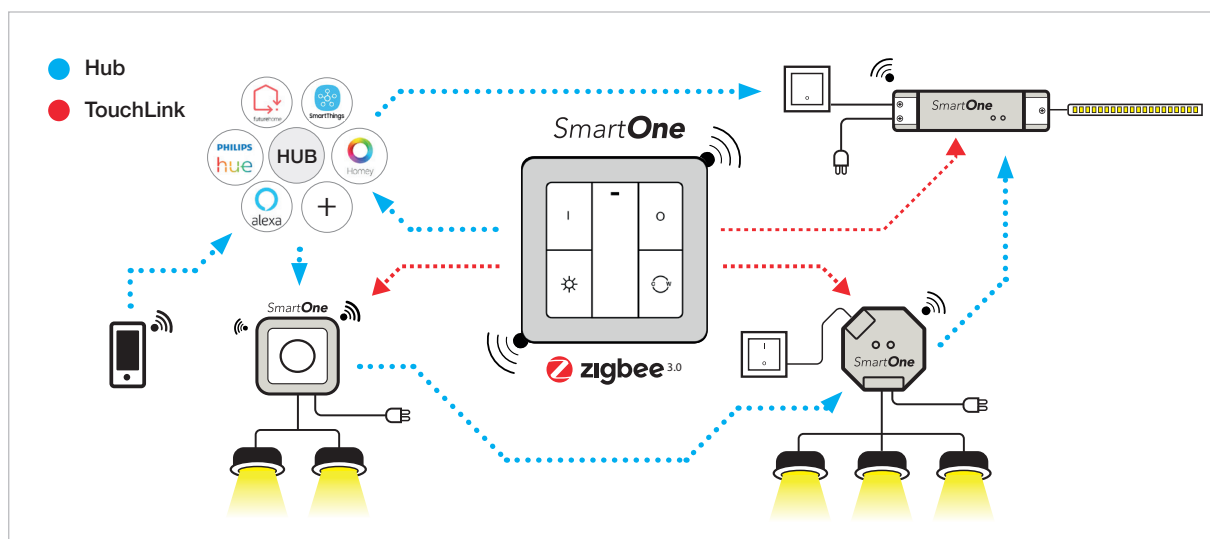
**Current:** 3V (CR2450) - battery included  
**IP-grade:** IP20  
**Operating temp.:** -20° ~ +45°  
**Measurements:** 71 x 71 x 11 mm

Art.no	Product
S57005	SmartOne Zigbee Wall Switch TW

## Measurements



For programming  
and connection, see our  
**Start guide**

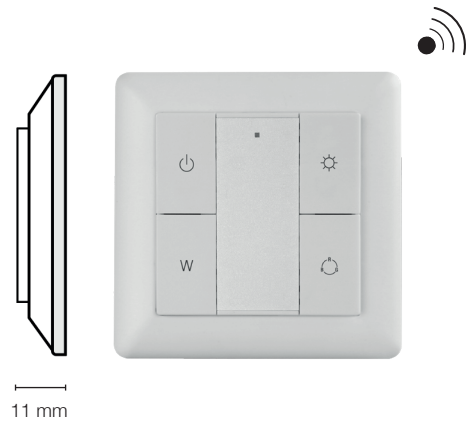


SmartOne

# Wall Switch RGB / RGBW



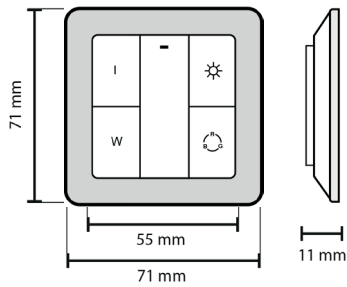
- Wireless wall switch for RGB and RGBW
- Can be surface-mounted on a wall
- Based on the latest supporting Zigbee 3.0 protocol Touchlink communication with Zigbee devices Battery-powered
- Fits in frame 55x55 mm



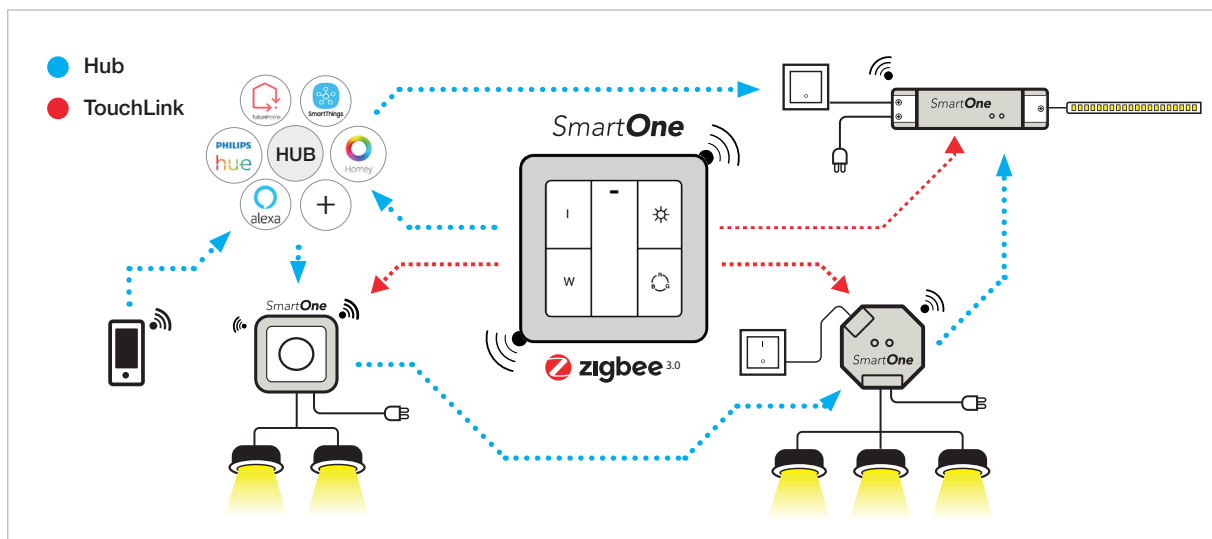
**Current:** 3V (CR2450) -battery included  
**IP-grade:** IP20  
**Operating temp.:** -20° ~ +45°  
**Measurements:** 71 x 71 x 11 mm

Art.no	Product
S57006	SmartOne Zigbee Wall Switch RGB/RGBW

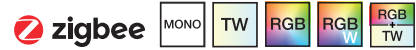
## Measurements



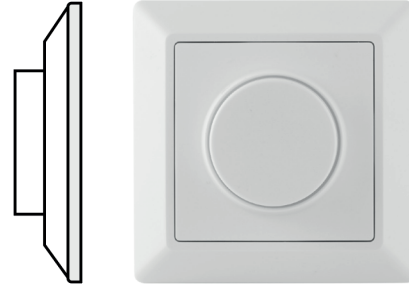
For programming and connection, see our **Start guide**



# Wall dimmer 4-in-1



- Wireless multi-dimmer
- Can be mounted surface-mounted on a wall
- Based on the latest supporting Zigbee 3.0 protocol Touchlink communication with Zigbee devices
- Can control Mono, Tunable White, RGB, RGBW and RGB + TW \* with simple button presses
- Battery-powered
- Fits in frame 55x55 mm

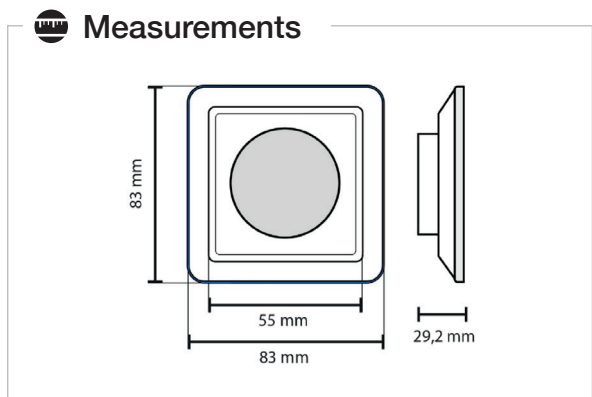


29,2 mm

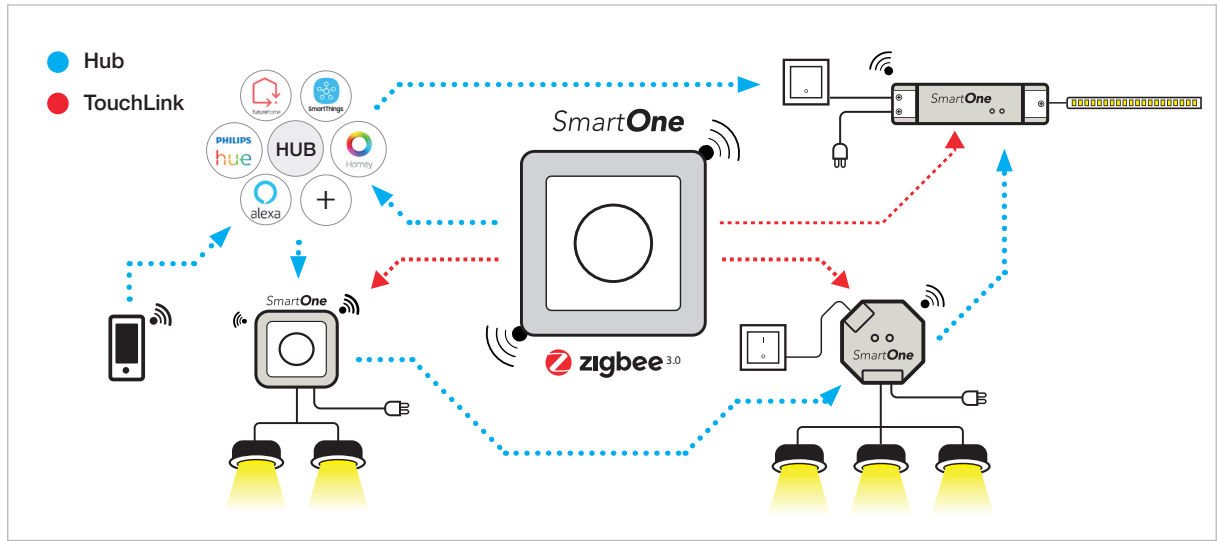
\* Can control both RGB + Tunable White with art. no. S24018 Controller 4x5A [ see page 27 ]

**Current:** 3V (CR2450) - battery included  
**IP-grade:** IP20  
**Operating temp.:** -20° ~ +45°  
**Measurements:** 83 x 83 x 29,2 mm

Art.no	Product
S57018	SmartOne Zigbee Wall dimmer 4-i-1



▼  
 For programming and connection, see our  
**Start guide**



SmartOne

# Fjernkontroll RGB / RGBW / RGB+TW



- Remote control for color control of RGB, RGBW and RGB + TW \*
- Based on the latest supporting Zigbee 3.0 protocol
- Touchlink communication with Zigbee devices
- Possibility to store up to 3 scenes and 4 different zones
- Can be mounted on the wall with the included magnetic holder
- Battery powered

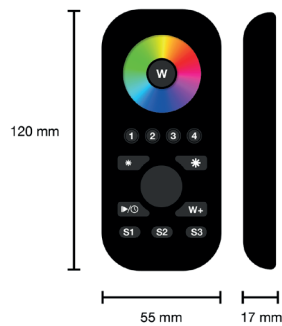


\* Can control both RGB + Tunable White  
with art. no. S24018 Controller 4x5A [ see page 27 ]

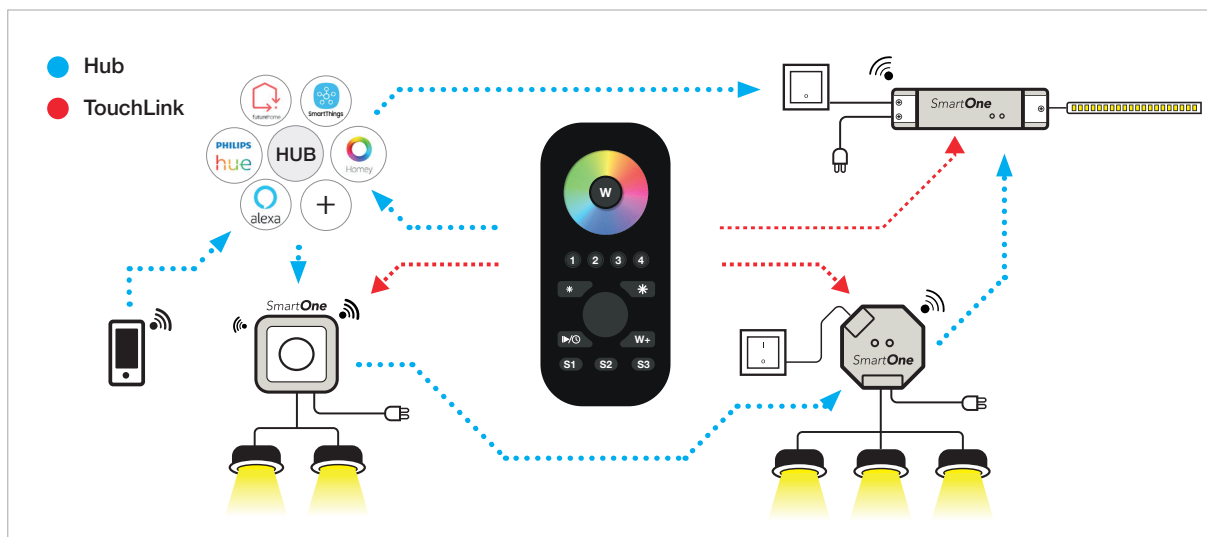
**Current:** 4,5V (3xAAA) - batterier inkludert  
**IP-grade:** IP20  
**Operating temp.:** -20° ~ +45°  
**Measurements:** 120 x 55 x 17 mm

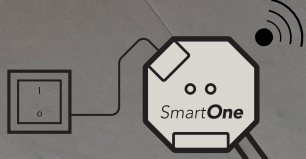
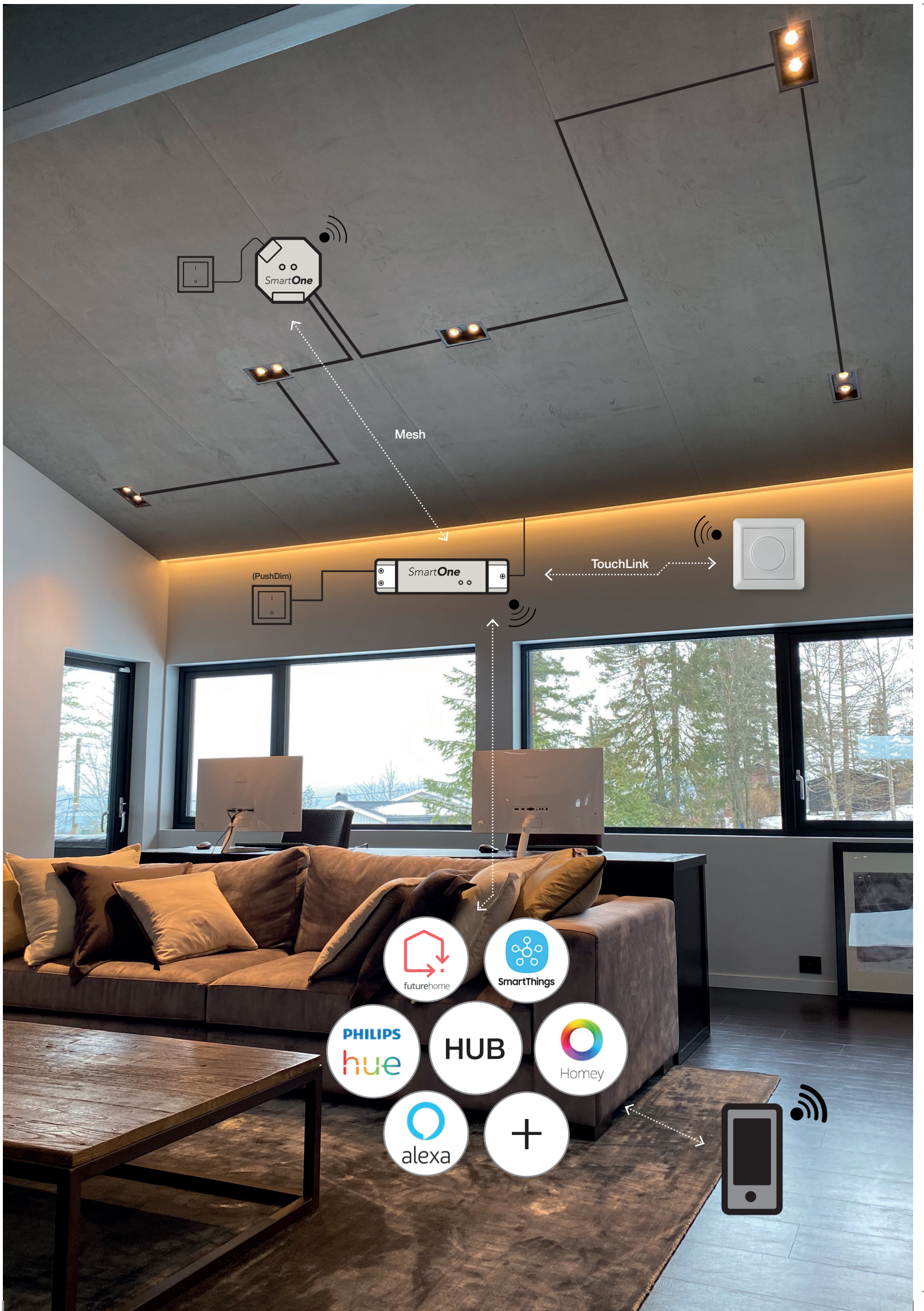
Art.no	Product
S57009	SmartOne Zigbee Remote RGB / RGBW / RGB+TW 3 scenes and 4 different zones

## Measurements



For programming  
and connection, see our  
**Start guide**



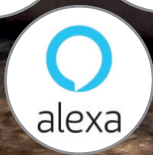


Mesh

(PushDim)



TouchLink



SmartOne

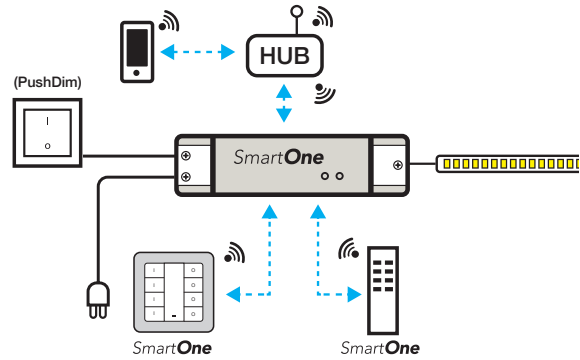
# PSU 24V 50W Mono



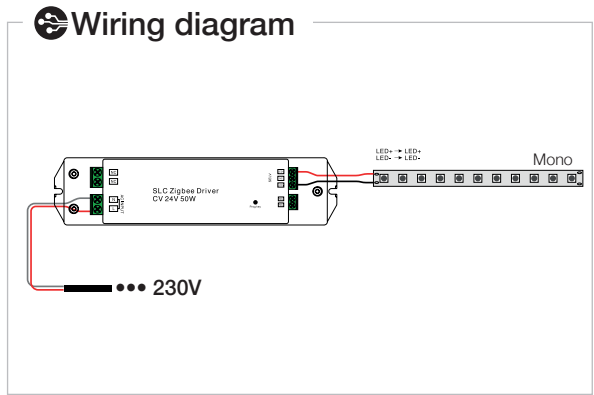
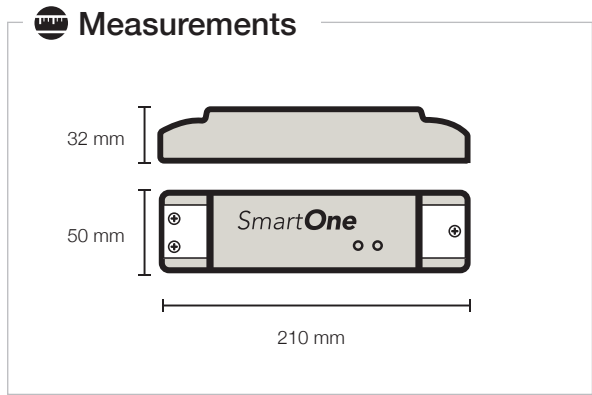
- Mono 24V, 50W PSU with built-in PWM dimmer
- Based on the latest Zigbee 3.0 protocol
- Works stand-alone when connecting a push switch or wirelessly via TouchLink to a remote control/switch
- Supports TouchLink communication with Zigbee remotes and switches
- Compatible with most smart home systems



**Type, output:** Constant Voltage (CV)  
**Input voltage:** 200-240V AC 50/60Hz  
**Output voltage:** 24V  
**Effect:** 50W  
**Connection:** LN, PushDim  
**IP-grade:** IP20  
**Operating temp.:** -20° ~ +45°  
**Measurements:** 210 x 50 x 32 mm



Art.no	Product
S32053	SmartOne Zigbee PSU 24V 50W Mono



## Connctction with TouchLink

**S57007** SmartOne Remote [ see page 15 ]

**S57003** SmartOne 4-Ch. Wall Switch [ see page 17 ]

**S57018** SmartOne 4-in-1 Wall Switch [ see page 20 ]

For programming and connection, see our **Start guide**



SmartOne

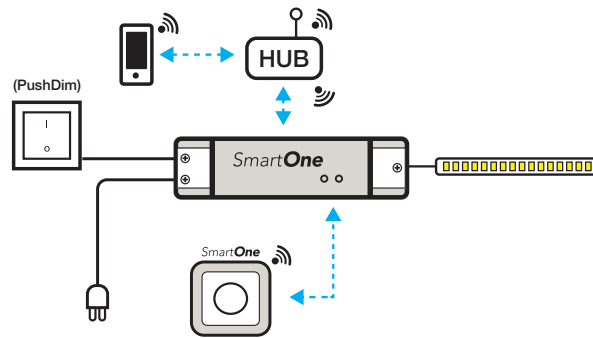
# PSU 24V 75W Tunable White



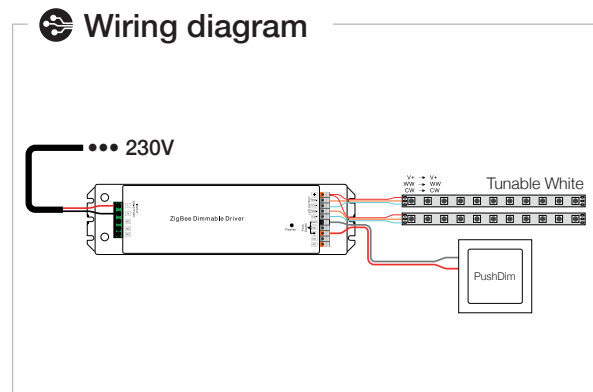
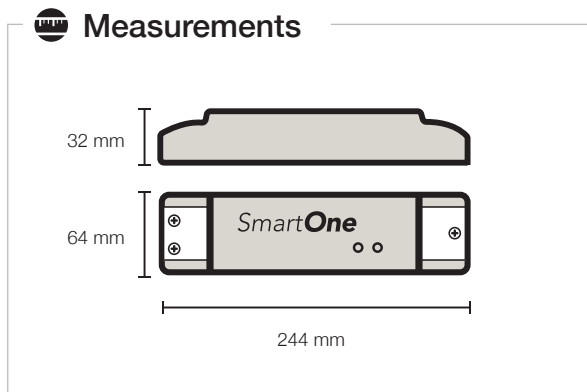
- Tunable White 24V, 75W PSU with built-in PWM dimmer
- Based on the latest Zigbee 3.0 protocol
- Works stand-alone when connecting a push switch or wirelessly via TouchLink to a remote control / switch
- Supports TouchLink communication with Zigbee remote controls and switches
- Compatible with most smart home systems



**Type, output:** Constant Voltage (CV)  
**Input voltage:** 200-240V AC 50/60Hz  
**Output voltage:** 24V  
**Effect:** 75W  
**Connection:** LN, PushDim (on/off, brightness only)  
**IP-grade:** IP20  
**Operating temp.:** -20° ~ +45°  
**Measurements:** 244 x 64 x 32 mm



Art.no	Product
S32055	SmartOne Zigbee PSU 24V 75W TW



## Control with TouchLink

**S57005 SmartOne TW**  
Wall switch [ see page 18 ]

**S57018 SmartOne 4-in-1**  
Wall dimmer [ see page 20 ]



For programming and connection, see our **Start guide**

SmartOne

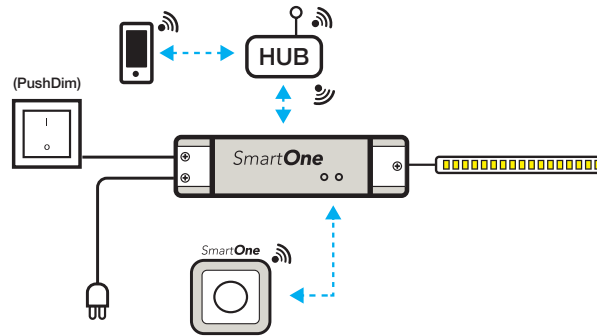
# PSU 24V 75W RGB/RGBW



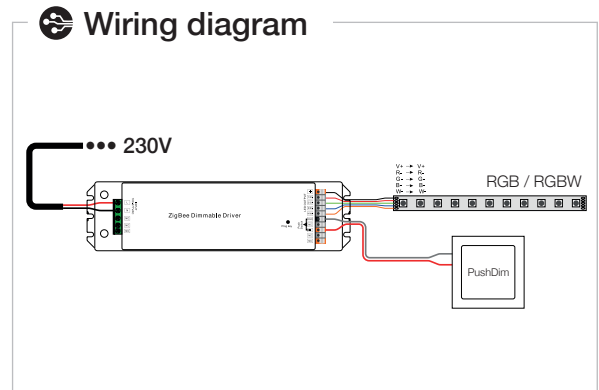
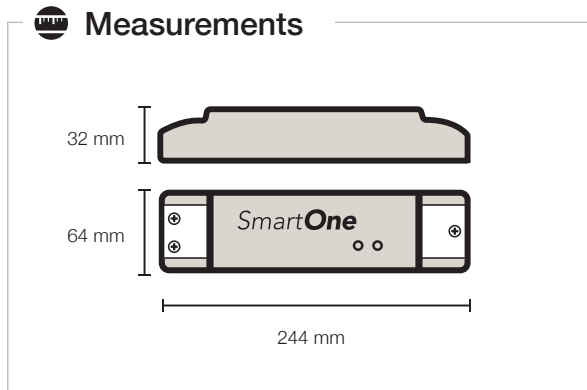
- RGB / RGBW 24V, 75W PSU with built-in PWM dimmer
- Based on the latest Zigbee 3.0 protocol
- Works stand-alone when connecting a push switch or wirelessly via TouchLink to a remote control/switch
- Supports TouchLink communication with Zigbee remotes and switches
- Compatible with most smart home systems



**Type, output:** Constant Voltage (CV)  
**Input voltage:** 200-240V AC 50/60Hz  
**Output voltage:** 24V  
**Effect:** 75W  
**Connection:** LN, PushDim (on/off, brightness only)  
**IP-grade:** IP20  
**Operating temp.:** -20° ~ +45°  
**Measurements:** 244 x 64 x 32 mm



Art.no	Product
S32056	SmartOne Zigbee PSU 24V 75W RGBW



## Styring med TouchLink

**S57009** SmartOne RGBW Remote [ see page 21 ]

**S57006** SmartOne RGBW Wall switch [ see page 19 ]

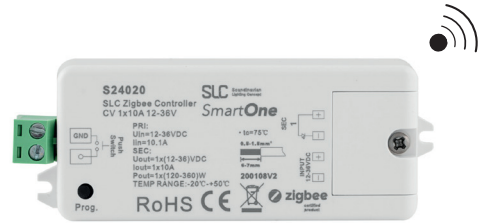
**S57018** SmartOne 4-in-1 Wall dimmer [ see page 20 ]

For programming and connection, see our **Start guide**

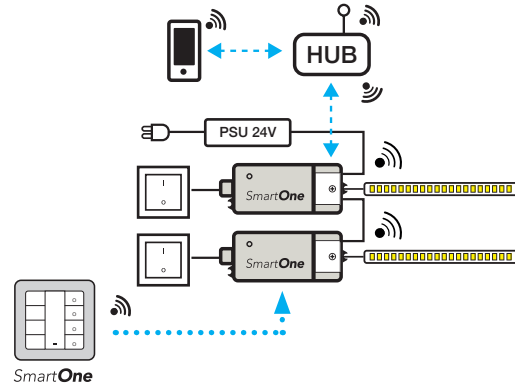
# Controller 24V 10A Mono



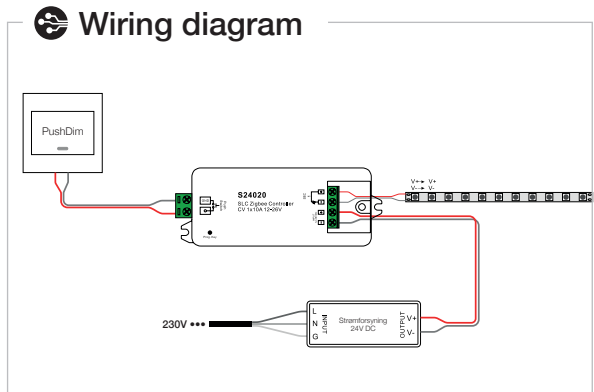
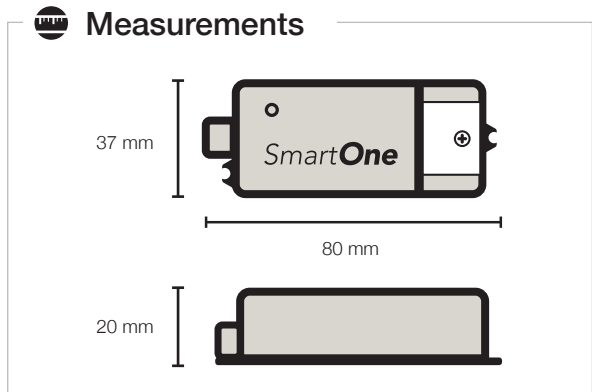
- Mono 24V Controller 10A with PWM dimmer
- Based on the latest Zigbee 3.0 protocol
- Works stand-alone when connecting a push switch or wirelessly via TouchLink to a remote control / switch
- Supports TouchLink communication with Zigbee remotes and switches
- Compatible with most smart home systems



**Type, output:** Constant Voltage (CV)  
**Input voltage:** 12-36V  
**Output voltage:** 12-36V  
**Max output power:** 240W  
**Current output:** 10A, max  
**IP-grade:** IP20  
**Operating temp.:** -20° ~ +45°  
**Measurements:** 80 x 37 x 20 mm



Art.no	Product
S24020	SmartOne Zigbee Controller 10A Mono



## Control with TouchLink

**S57007** SmartOne 3 x Mono Remote [ see page 15 ]

**S57003** SmartOne 4-channel Wall Switch [ see page 17 ]

**S57018** SmartOne 4-i-1 Wall Switch [ see page 20 ]

For programming and connection, see our **Start guide**

SmartOne

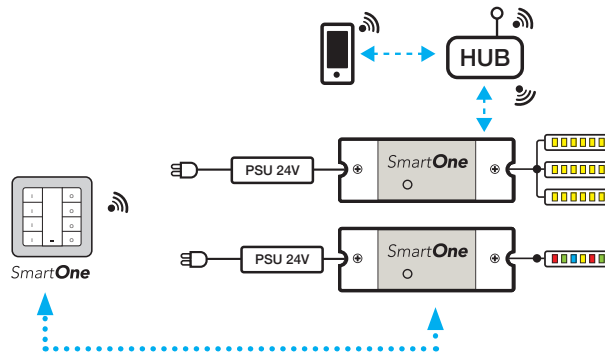
# Controller 24V 5x4A



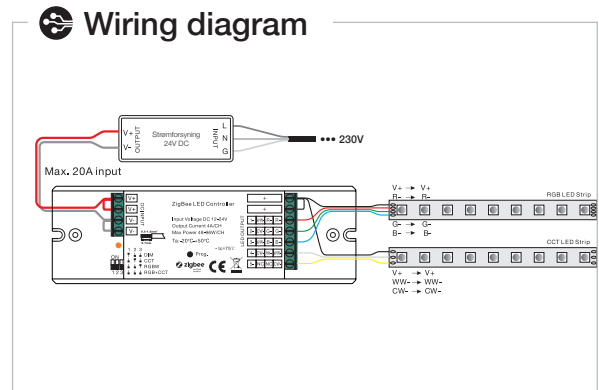
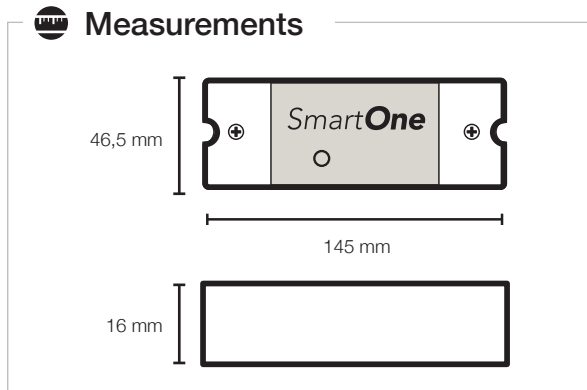
- 24V Controller 5x4A med PWM-dimmer
- Basert på den nyeste Zigbee 3.0-protokollen
- Støtter TouchLink-kommunikasjon med Zigbee fjernkontroller og brytere
- Innebygd dip-switch for å endre mellom Mono, Tunable White, RGB, RGBW og RGB+TW
- Kompatibel med de fleste smarthusssystemer



Type, output:	Constant Voltage (CV)
Input voltage:	12-24V
Output voltage:	12-24V
Output power at/24V DC:	4 x 96W
Output current:	5x4A
IP-grade:	IP20
Operating temp.:	-20° ~ +45°
Measurements:	145 x 46,5 x 16 mm



Art.no	Product
S24018	SmartOne Zigbee Controller CV 5x4A 12-24V



## Styring med TouchLink

**S57009** SmartOne RGBW Remote [ see page 21 ]

**S57006** SmartOne RGBW Wall Switch [ see page 19 ]

**S57018** SmartOne 4-i-1 Wall Switch [ see page 20 ]

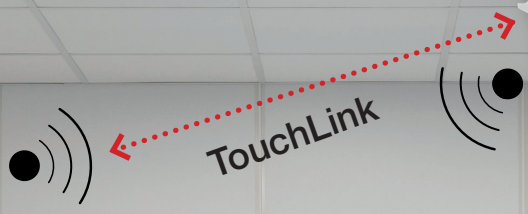
For programming and connection, see our **Start guide**

**DALI**

**DALI**

I  
O  
I 1 O  
I 2 O  
I 3 O  
S1 S2  
S3 S4

SmartOne  
zigbee 3.0



SmartOne  
zigbee 3.0

**DALI**

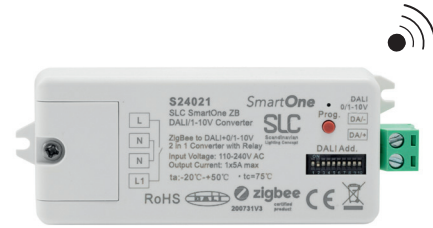
eller  
1-10V



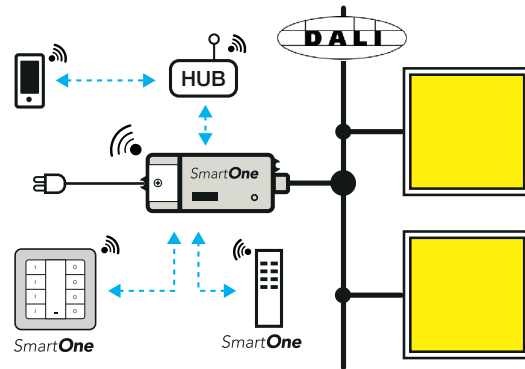
# Converter Zigbee to DALI / 1-10V



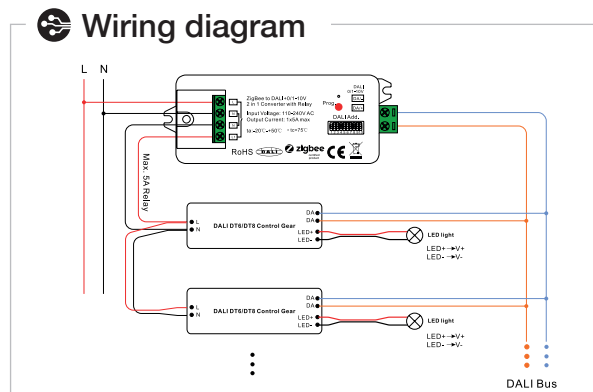
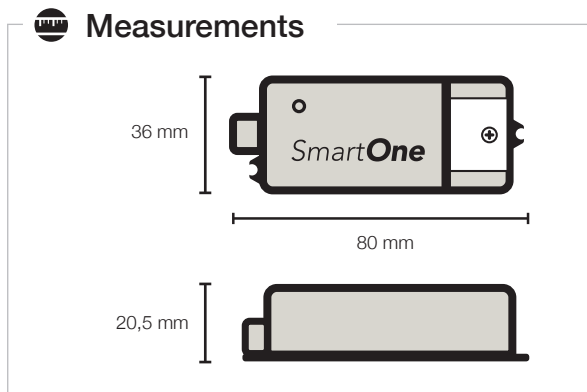
- Zigbee to DALI Converter that easily lets you integrate
- your DALI or 1-10V system against Zigbee
- Zigbee to DALI or 1-10V signal converter
- Mono, Tunable White, RGB and RGBW
- DALI DT6: Mono dim
- DALI DT8: TW, RGB, RGBW
- Can address DALI addresses, DALI groups and Broadcast
- Switch for disconnecting
- Built-in DALI power supply
- Based on the latest Zigbee 3.0 protocol
- Supports TouchLink communication with other Zigbee devices
- Compatible with most smart home systems



**Type out:** DALI DT6/DT8 or 1-10V-signal  
**Input voltage:** 110-240V  
**DALI Power out:** 50mA  
**Input current:** 4mA  
**0/1-10V out:** 20mA  
**Signal in:** Zigbee 2,4GHz  
**IP-grade:** IP20  
**Operating temp.:** -20° ~ +45°  
**Measurements:** 80 x 36 x 20,5 mm



Art.no	Product
S24021	SmartOne Zigbee Converter DALI DT6 / DT8 / 1-10V



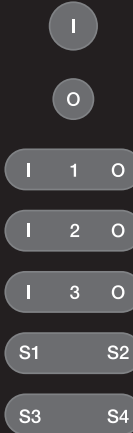
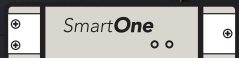
## Styring med TouchLink

**S57007** SmartOne 3 x Mono Remote [ see page 15 ]

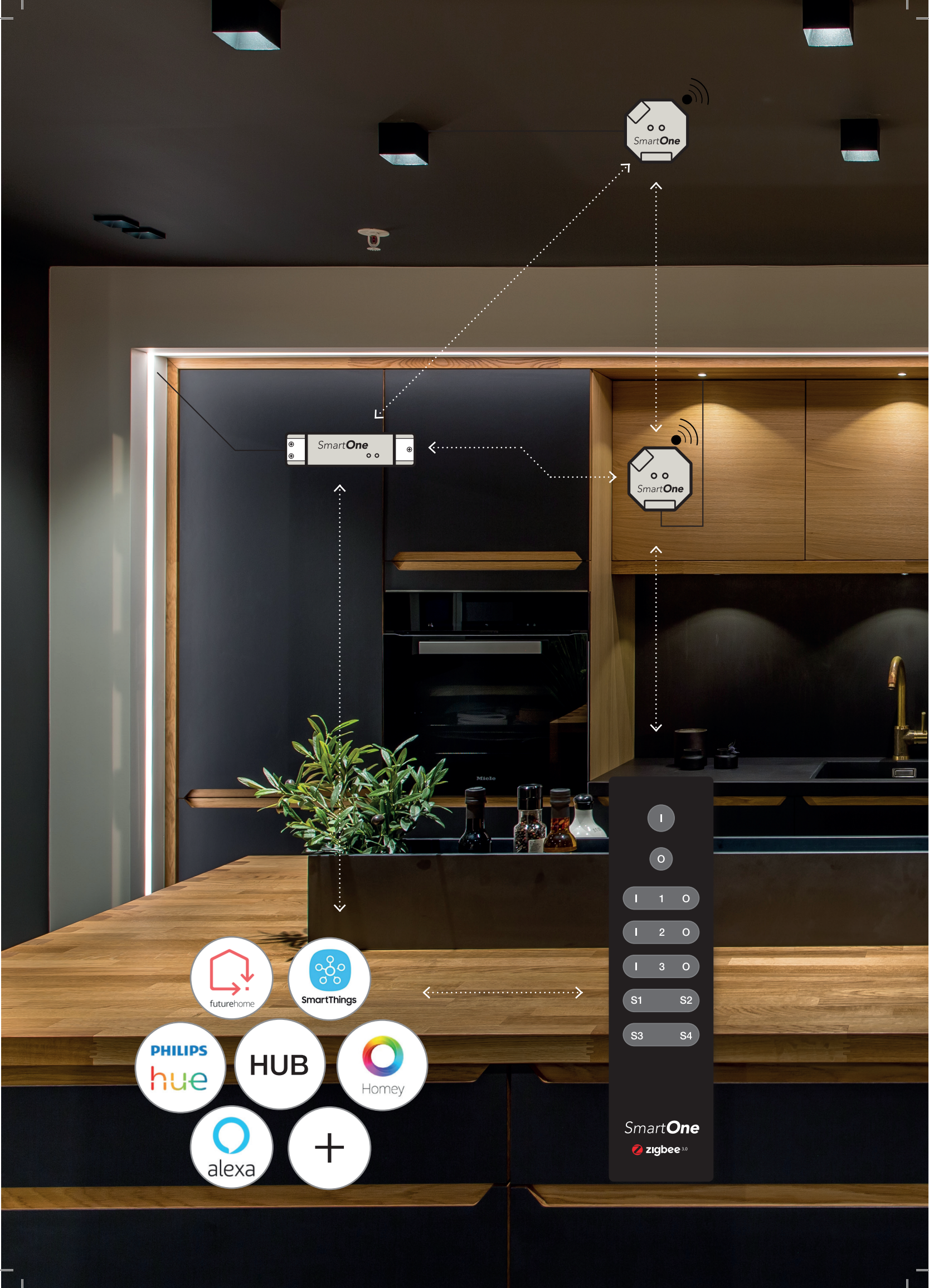
**S57003** SmartOne 4-channel Wall Switch [ see page 17 ]

**S57018** SmartOne 4-i-1 Wall Switch [ se page 20 ]

For programming and connection, see our **Start guide**



SmartOne  
zigbee 3.0



SLC Scandinavian  
Lighting Concept

SmartOne

 zigbee 3.0